

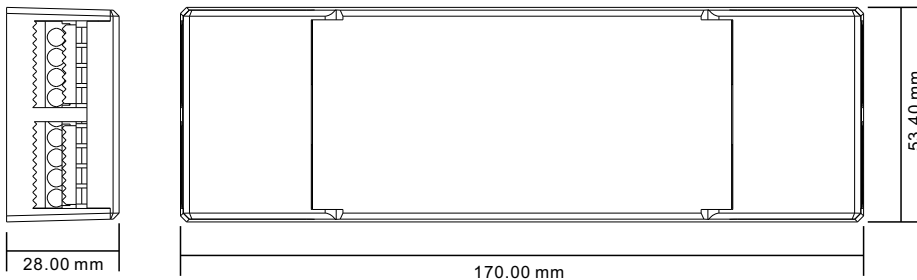
Feature

- Standard DMX512 compliant control interface, enable to set the DMX address freely. And show address Via digital numeric display.
- Three-channel/ four-channel output selectable.
- Two types available(Constant Voltage, Constant Current),suitable for different LED lamps.
- To work with power repeater to expand output power unlimitedly.
- Compatible with DMX1RGBW

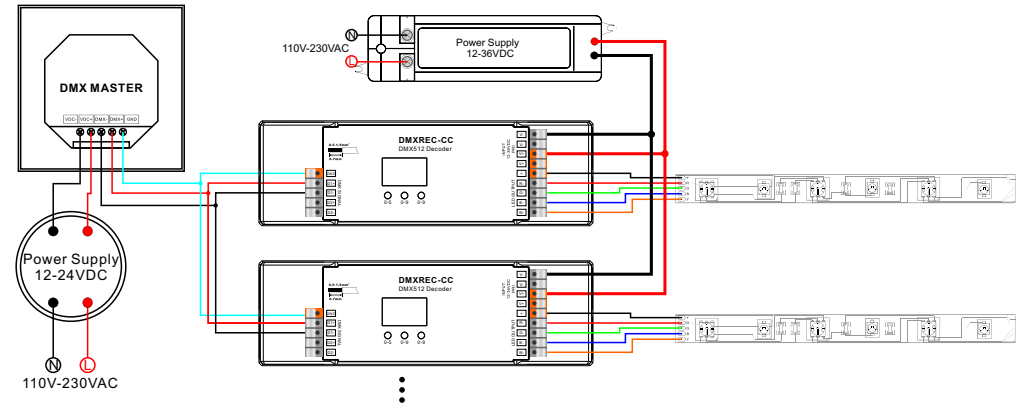
Parameter

Part No.	Input Voltage	Output Current	Output Power	Remarks
DMXREC-CC	12-36VDC	4x0.35A	4x(4.2-12.6)W	Constant current

Product Size



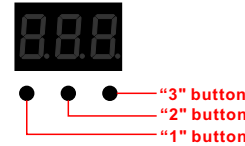
Wiring diagram



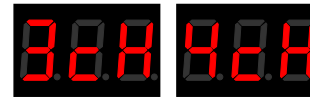
Using instruction

Operation

Through buttons to set desired DMX512 address, 1 key is to set "hundreds" position, 2 is to set "ten" position, 3 is to set "a" bit.



To open the connection of DMX512 controller, then it can work correctly.



Choose Channel

Press 2nd button and 3rd button at the same time for 2 seconds, ch digital display flashes, then press 1st button to choose 1/2/3/4, 3 means total 3 channels, 4 means total 4 channels. Press any button for >2 seconds to confirm the 1,2,3 or 4 channels. The factory preset default is 4 channels outputs.

NOTE:

For example, when we set address to 001

When select 1cH, all four channels will be the same address 001.

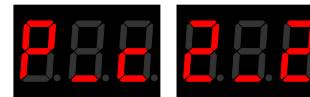
When select 2cH, channel one and channel three will be the same address 001, channel two and channel four will be 002.

When select 3cH, channel 1,2,3 will be address 001,002,003, and channel 4 address is also 001

When select 4cH, channel 1, 2, 3,4 will be address 001, 002,003,004.

Set DMX address

Press 1st button for 2 seconds, digital display flashes to set the required DMX address, then press any button for >2 seconds to confirm.



Choose PWM frequency

Press 1st button and 3rd button for 2 seconds, digital display flashes to show P-c. P means PWM frequency, press 1st to show "1", means 1500Hz, "2" means 200Hz.

c means dimming options, press 3rd to show "1", means logarithmic dimming, "2" means linear dimming.

The factory preset default is PWM frequency 200Hz with linear dimming. **2-2**

Safety & Warnings

- 1) The product shall be installed and serviced by a qualified person.
- 2) IP20. Please avoid the sun and rain. When installed outdoors, please ensure it is mounted in a water proof enclosure.
- 3) Always be sure to mount this unit in an area with proper ventilation to avoid overheating.
- 4) Please check if the output voltage of any LED power supplies used comply with the working voltage of the product.
- 5) Never connect any cables while power is on and always assure correct connections to avoid short circuits before switching on.
- 6) Please ensure that the cable is secured tightly in the connector
- 7) For update information please consult your supplier.